

PRODUCT
SERIES
2014

MF

METAFORM
SHADING SYSTEMS



Contents	Company	5-9
	Pergola Star	10-15
	Pergola Magna	16-21
	Pergola Mega	23-27
	Pergola Arch	28-33
	Pergola Top Star	34-39
	Pergola Persa	40-45
	Star Vertical Casket	46-49
	Star Casket	50-53
	Monoblock	54-57
	Innovation	58

Company



Company

METAFORM has been seated in Thessaloniki, with over 25 years of professional experience. Its privately owned facilities, covering an area of 13,000 m² at the 18th km of the Thessaloniki - Kavala Old National Highway, include awning production premises equipped with the most modern machinery.

Therefore, METAFORM has been undertaking the complete design and production of the most developed awnings for years.

The experience and technical knowledge it has acquired enable the company to provide the most reliable solutions and specialised applications capable of meeting even the highest professional requirements.

Characteristics



Formidable Characteristics

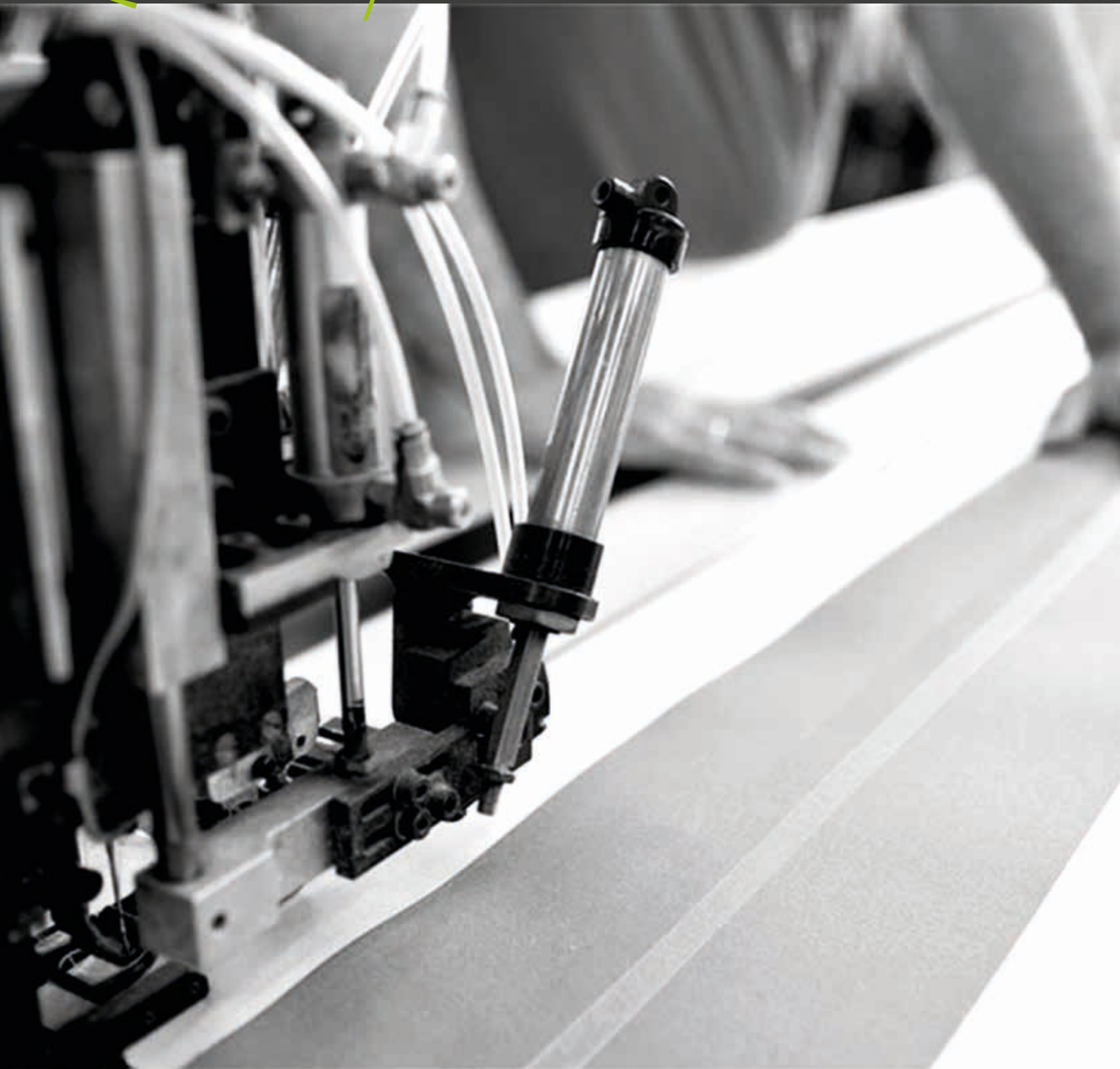


Our products incorporate unique design and production elements, as well as specific properties of selected materials, so as to always provide you with reliability, functionality and aesthetics.

We also provide easy-to-use capabilities for electrical motion, remote control, automations, as well as personal color selection for optimal adaptation of our systems to your needs.

All our products are fully parameterisable, providing solutions to even the toughest application cases. Focusing on the unique features of each space, we propose solutions that provide safety and durability during the harshest of weather conditions, in both winter and summer!

Quality



Metaform Quality Guarantee



DIN EN ISO 9001-2008



At Metaform, we believe in a comprehensive quality framework that is based both on our corporate characteristics, i.e. the applied practices and models for the development, production and sale of our products and services, as well as on continuously pursuing a high level of professional relationships with in all our associates.

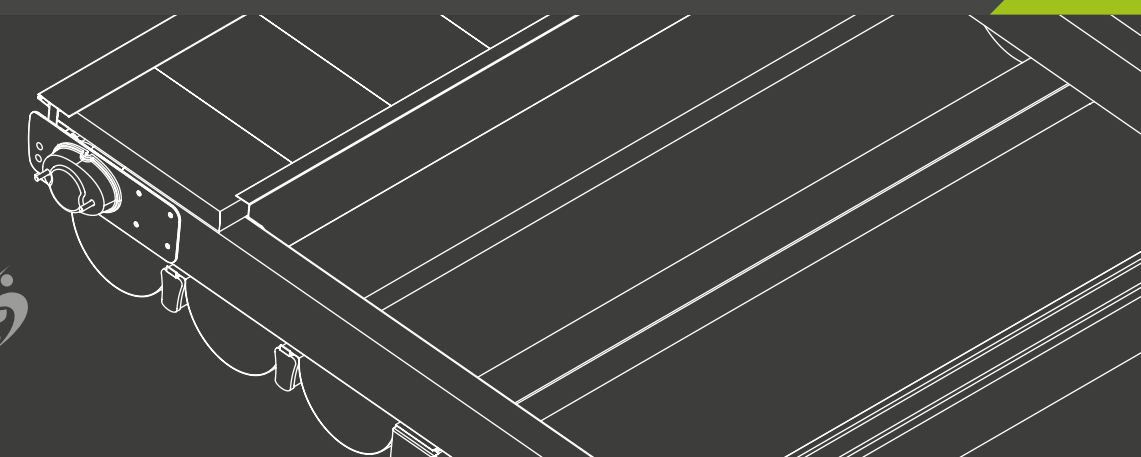
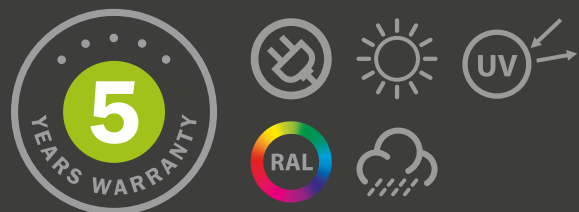
For this purpose, we utilise our long experience, combined with specialised technological research and innovative applications, in order to continuously improve the technical specifications, functional elements and aesthetic results of the coverage and shading systems we produce exclusively.

Pergola Star



Star Exclusively designed by Metaform SA, this is the ideal solution for the coverage of professional spaces covering a large area and featuring unique elements.

Retractable, 100% manufactured from aluminium, with a the motor that provides motion to the axle being incorporated within the axle with no additional parts.



Pergola Star

Technical characteristics

Dimensions:

Up to 120m², 6m maximum projection without intermediate support.

Distance from Rafter to Rafter:

Up to 4m with aluminium beams 90X57mm & 38X57mm.
Up to 5m with aluminium beams 90X70mm & 43X70mm.

Associated products:

Parapet 120X80cm - Gutter 140X120cm, Parapet - Gutter 120X100cm, Parapet - Gutter 160X140cm, Parapet 160X20cm, Lighting System, Aluminium Cover with polycarbonate.

Colors

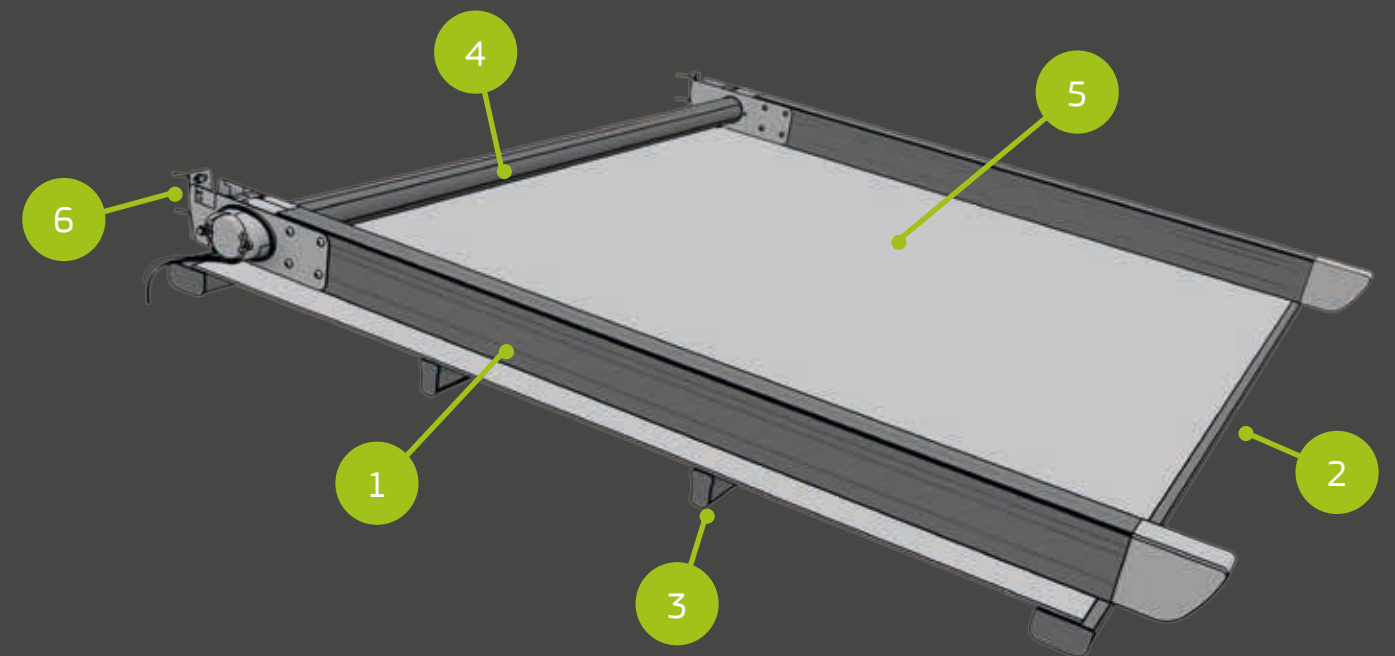
Cover material



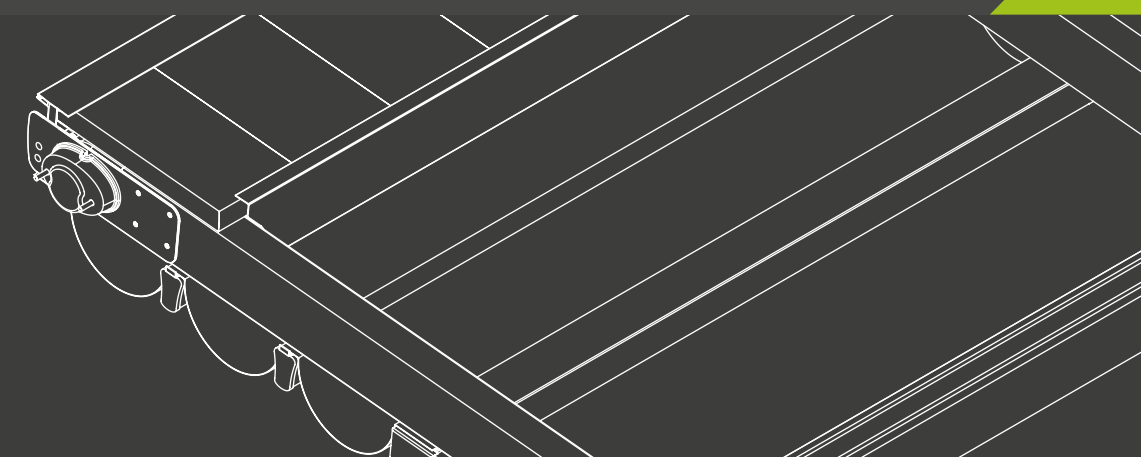
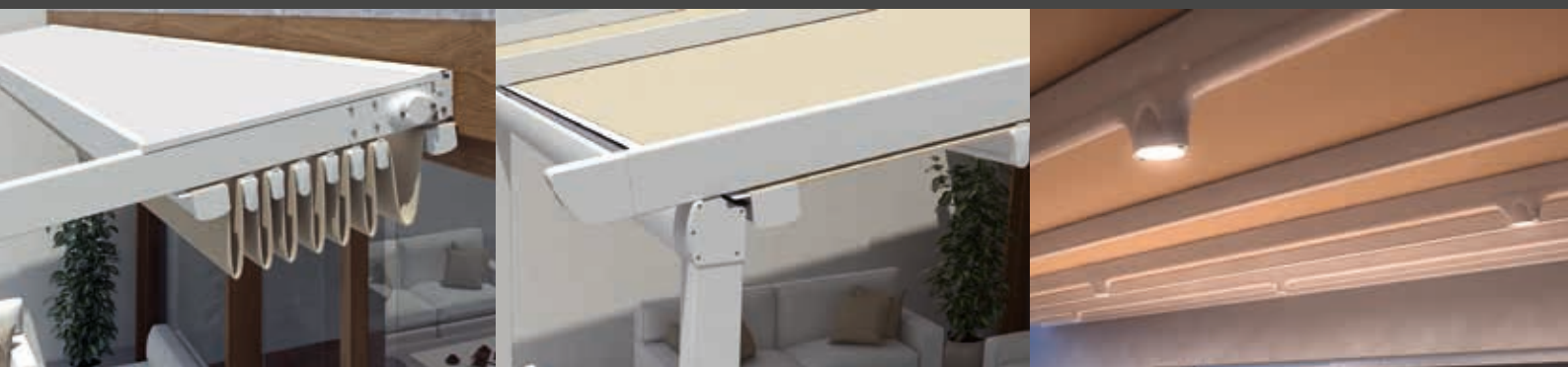
Aluminium



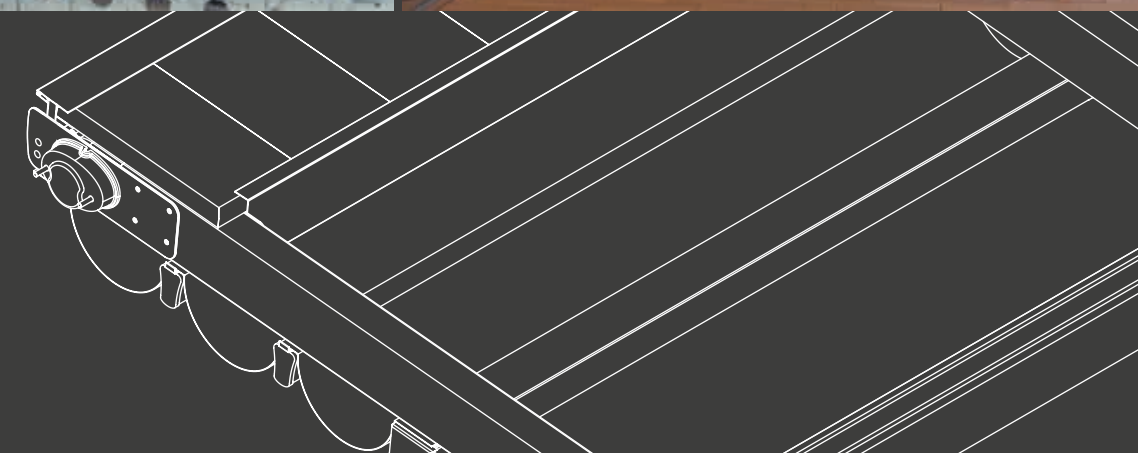
Available in all other colors and wood imitation after request.



1. Aluminium Rafter 120X70cm.
2. Aluminium Wide Beam 90X57cm or 90X70cm.
3. Aluminium Narrow Beam 38X57cm or 43X70cm.
4. Aluminium Tube Ø75mm.
5. Cover Material PVC Block Out.
6. Bracket.



Pergola Star

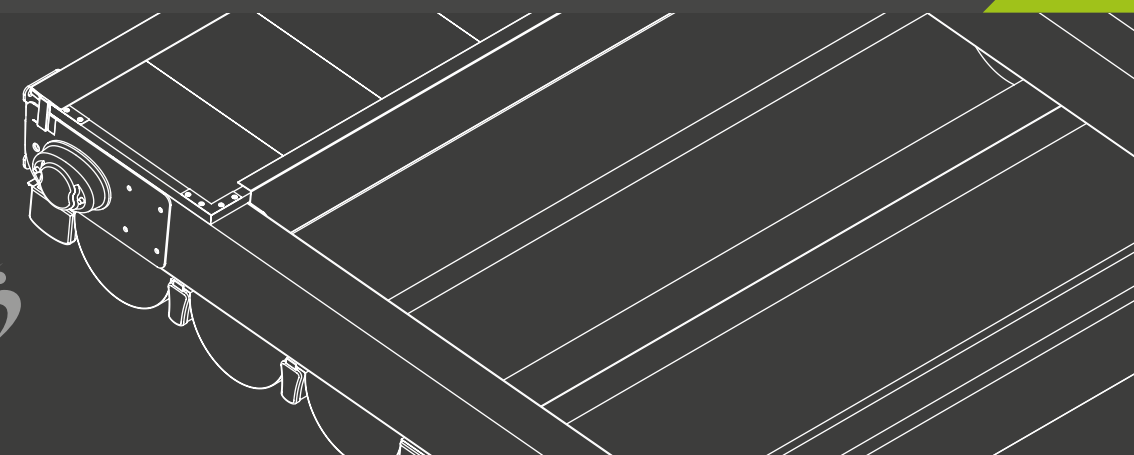
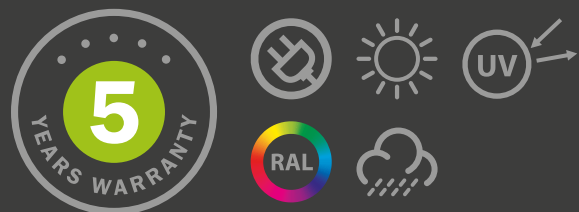


Pergola Magna



Magna New, pioneering pergola, exclusively designed by Metaform SA. Reinforced construction and improved aesthetics, when maximum capability of coverage of external spaces is required.

Quality construction for sturdiness, functionality, top aesthetics and safety. Durable protection, with certified resistance to Sun, Rain & Wind.



Pergola Magna

Technical characteristics

Dimensions:

Up to 120m², 8m maximum projection without intermediate support.

Distance from Rafter to Rafter:

Up to 4m with aluminium beams 90X57mm & 38X57mm.
Up to 5m with aluminium beams 90X70mm & 43X70mm.

Associated products:

Parapet 120X80cm - Gutter 140X120cm, Parapet - Gutter 120X100cm, Parapet - Gutter 160X140cm, Parapet 160X20cm, Lighting System, Aluminium Cover with polycarbonate.

Colors

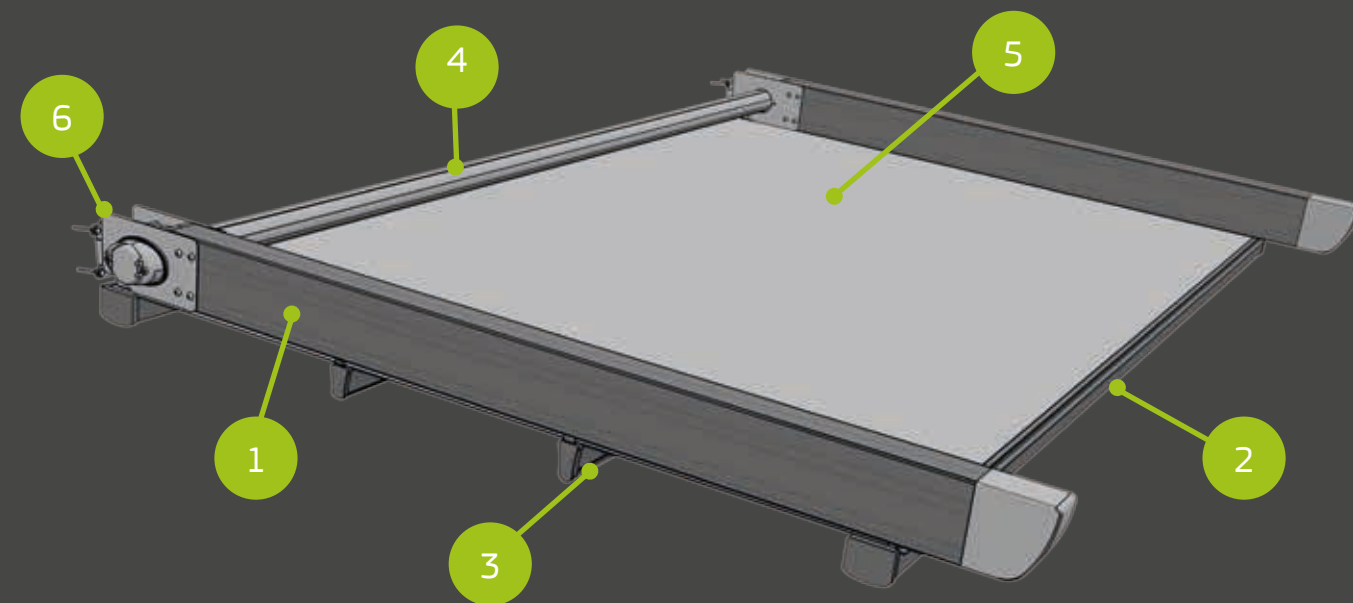
Cover material



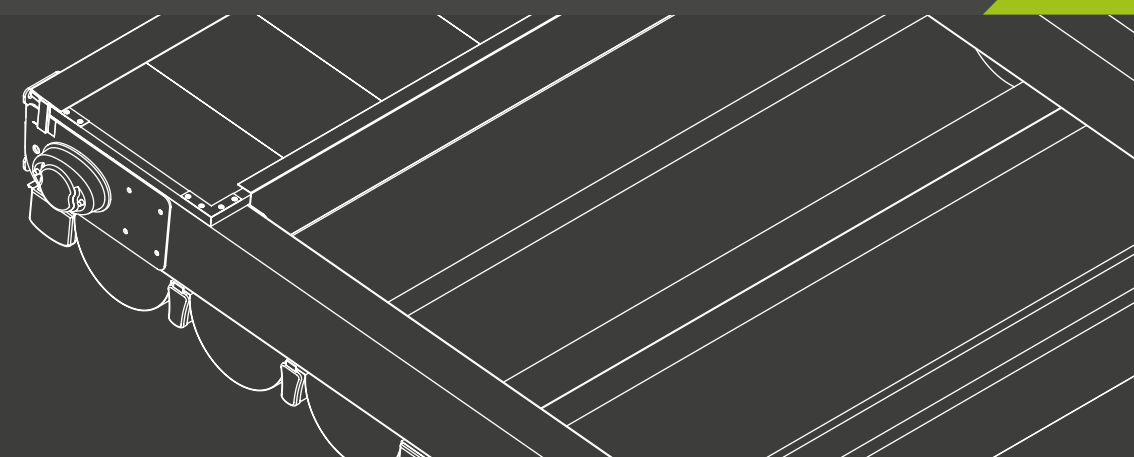
Aluminium



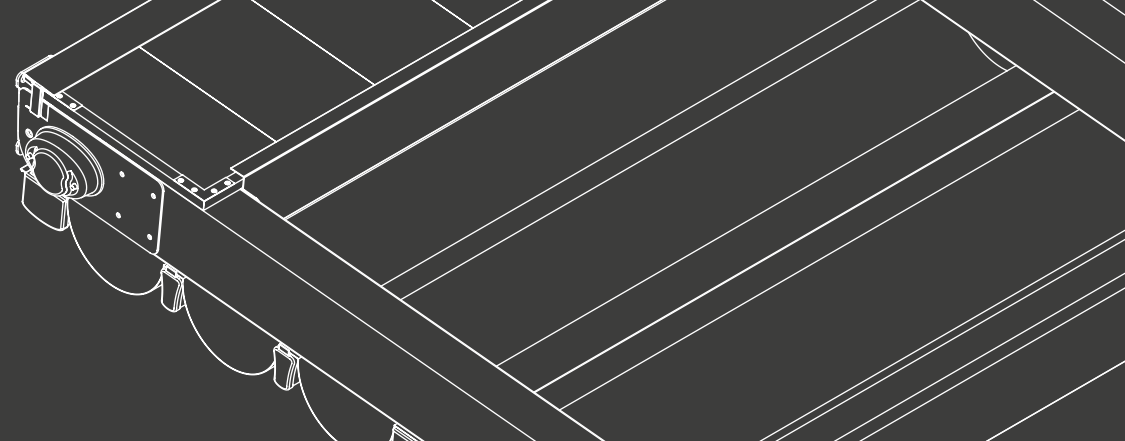
Available in all other colors wood imitation after request.



1. Aluminium Rafter 160X85cm.
2. Aluminium Wide Beam 90X57cm or 90X70cm.
3. Aluminium Narrow Beam 38X57cm or 43X70cm.
4. Aluminium Tube Ø75mm.
5. Cover Material PVC Block Out.
6. Base trellis.



Pergola Magna

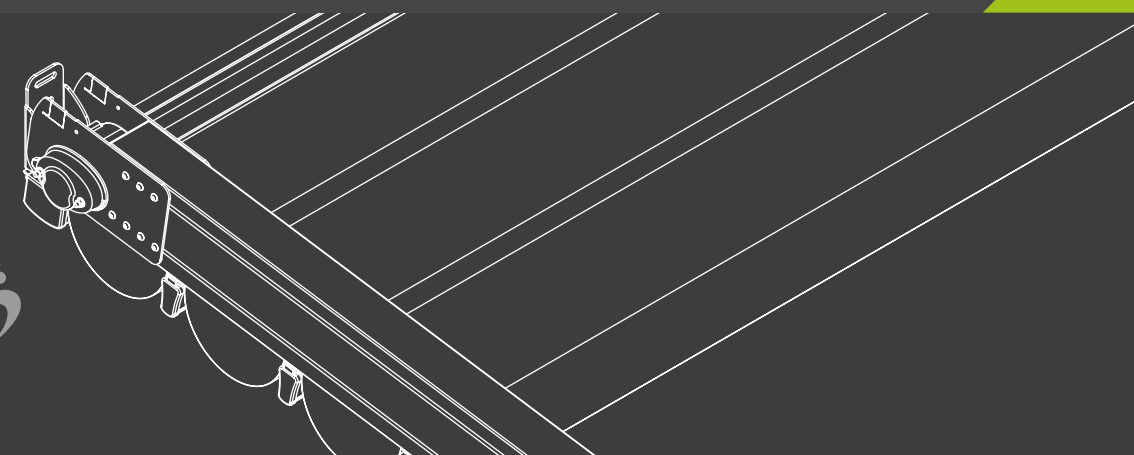
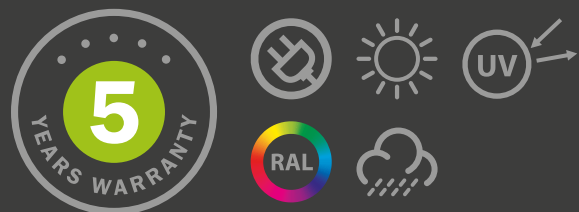


Pergola Mega



Mega Metaform SA once again innovates and offers a folding aluminum pergola, ideal for large surfaces, which undoubtedly makes the difference.

With special tubular motor and without any accessories, achieves full combination of simplicity - performance , and offers maximum coverage capability and shading.



Pergola Mega

Technical characteristics

Dimensions:

Up to 120m², 10m maximum projection without intermediate support.

Distance from Rafter to Rafter:

Up to 4m with aluminium beams 90X57mm & 38X57mm.
Up to 5m with aluminium beams 90X70mm & 43X70mm.

Associated products:

Parapet 120X80cm - Gutter 140X120cm, Parapet - Gutter 120X100cm, Parapet - Gutter 160X140cm, Parapet 160X20cm, Lighting System, Aluminium Cover with polycarbonate.

Colors

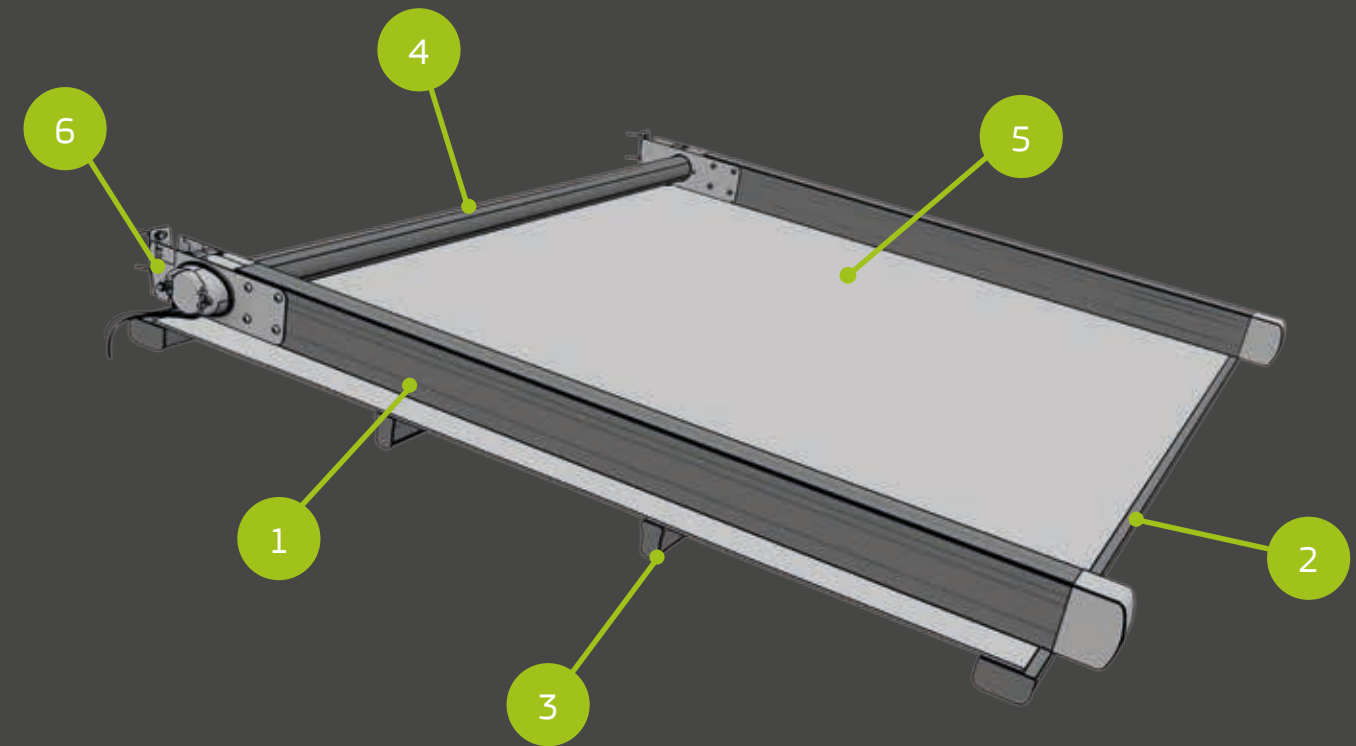
Cover material



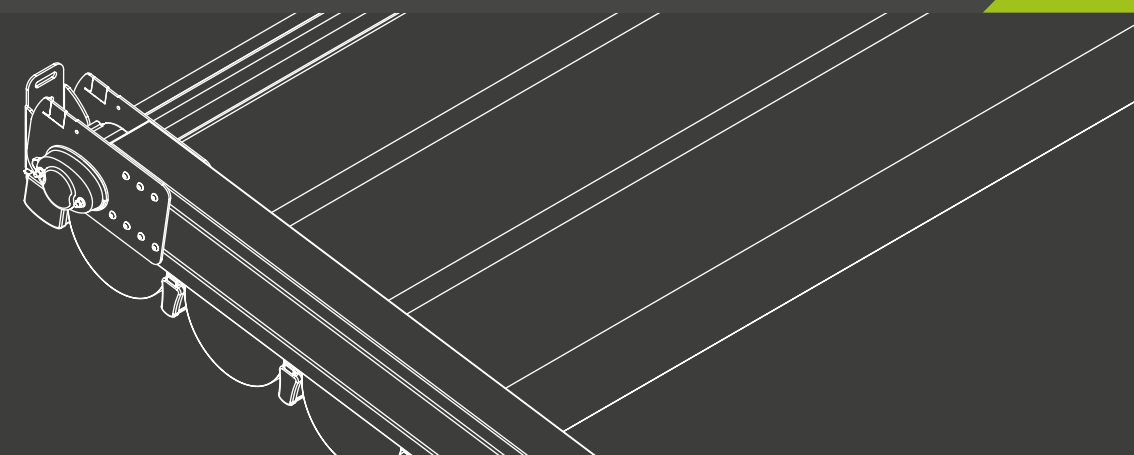
Aluminium



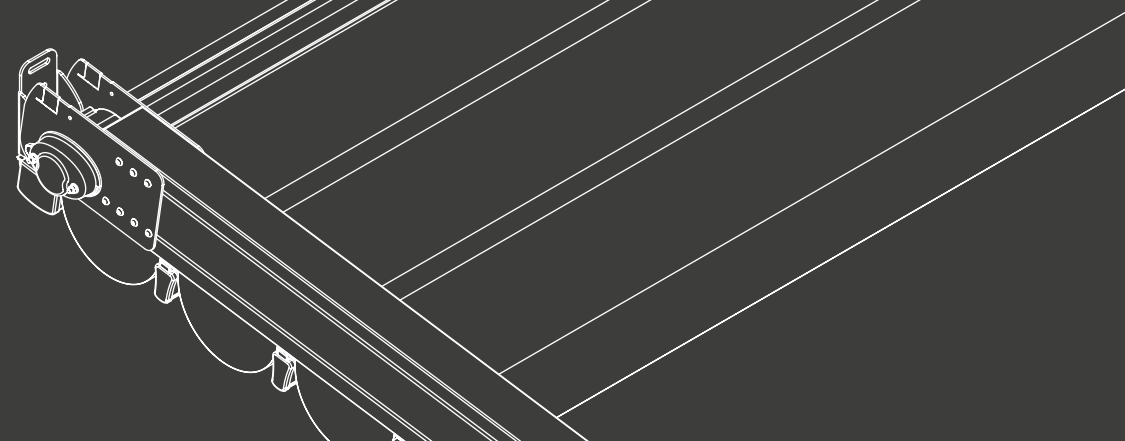
Available in all other colors and wood imitation after request.



1. Aluminium Rafter 180X100cm.
2. Aluminium Wide Beam 90X57cm or 90X70cm.
3. Aluminium Narrow Beam 38X57cm or 43X70cm.
4. Aluminium Tube Ø75mm.
5. Cover Material PVC Block Out.
6. Bracket.



Pergola Mega

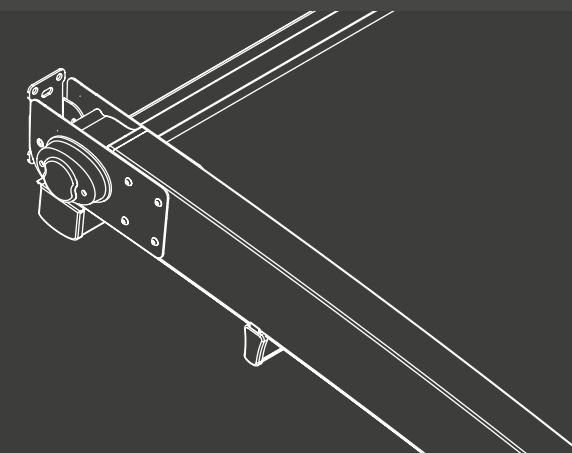
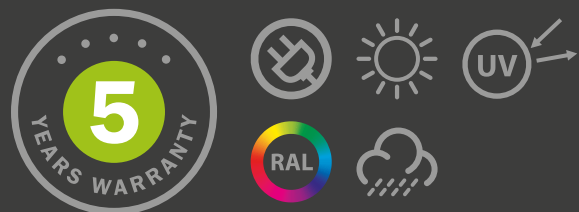


Pergola Arch



Arch Metaform's SA expertise and originality brought up pergola Arch , an excellent solution for covering and shading exteriors.

With arched and impeccable design, it is the most appropriate pergola for radial applications as well as large projections.



Pergola Arch

Technical characteristics

Dimensions:

Up to 120m², 8m maximum projection without intermediate support.

Distance from Rafter to Rafter:

Up to 4m with aluminium beams 90X57mm & 38X57mm.
Up to 5m with aluminium beams 90X70mm & 43X70mm.

Associated products:

Parapet 120X80cm - Gutter 140X120cm, Parapet - Gutter 120X100cm, Parapet - Gutter 160X140cm, Parapet 160X20cm, Lighting System, Aluminium Cover with polycarbonate.

Colors

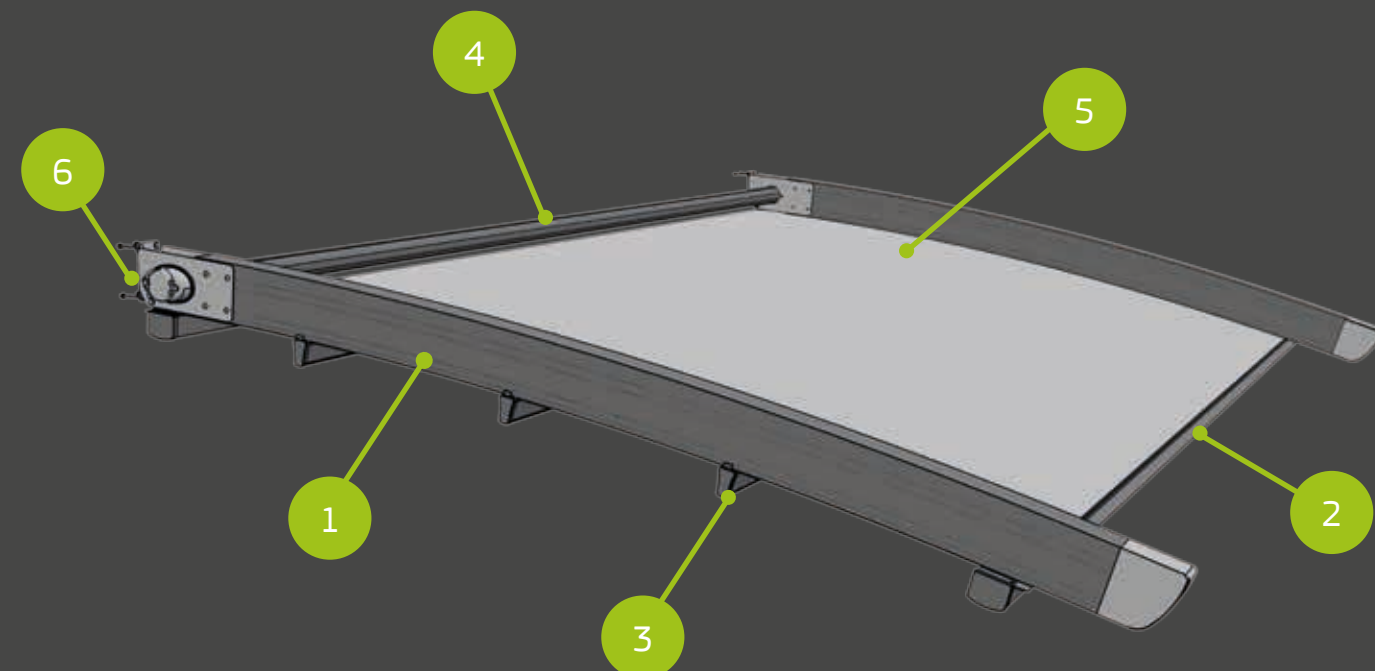
Cover material



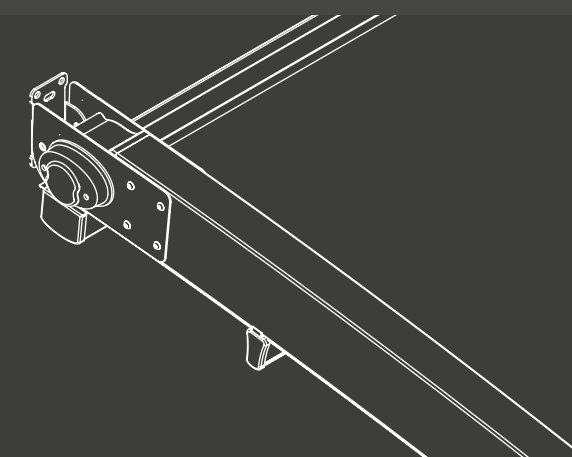
Aluminium



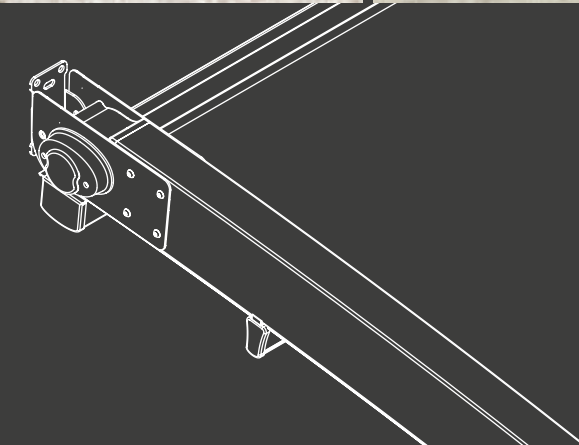
Available in all other colors and wood imitation after request.



1. Aluminium Rafter 160X85cm.
2. Aluminium Wide Beam 90X57cm or 90X70cm.
3. Aluminium Narrow Beam 38X57cm or 43X70cm.
4. Aluminium Tube Ø75mm.
5. Cover Material PVC Block Out.
6. Bracket.



Pergola Arch

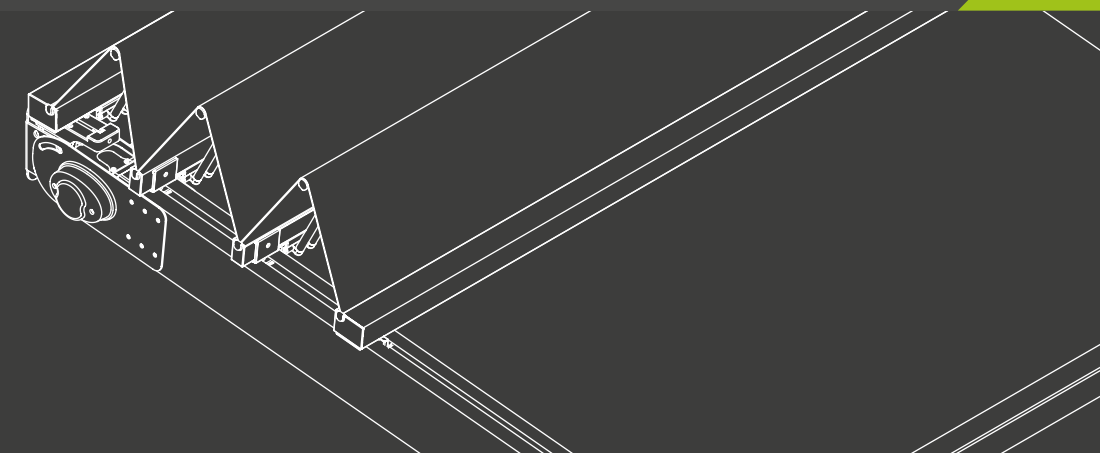
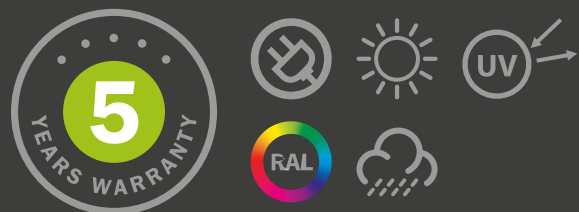
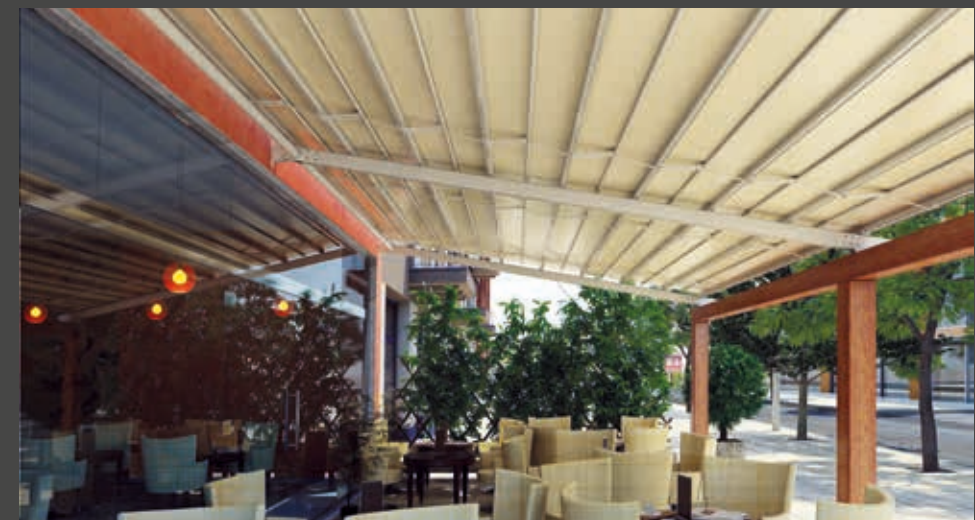


Pergola Top Star



Top Star Exclusively designed by Metaform SA, this is an innovation in professional shading, as the pioneering lift system allows you to install the product on any pre-existing construction.

Retractable, manufactured from a special alloy of highly durable aluminium.



Pergola Top Star

Technical characteristics

Dimensions:
Up to 120m², 6m maximum projection without intermediate support.

Distance from Rafter to Rafter:
Up to 3.75m.

Associated products:
Parapet 120X80cm, Parapet 160X20cm.

Colors

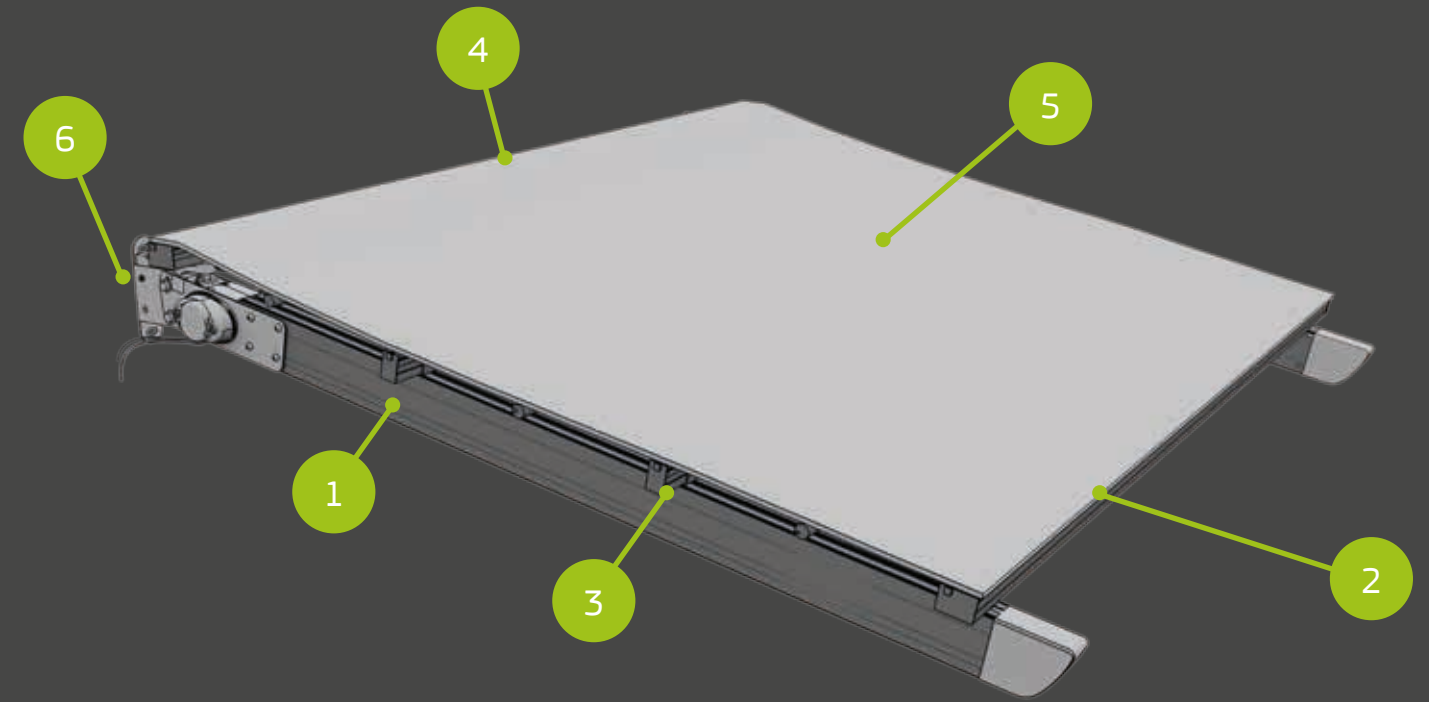
Cover material



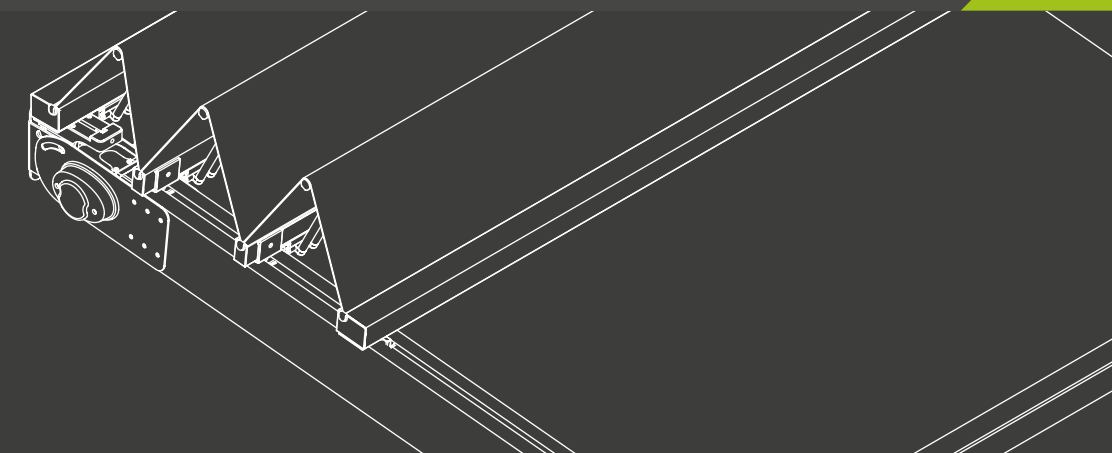
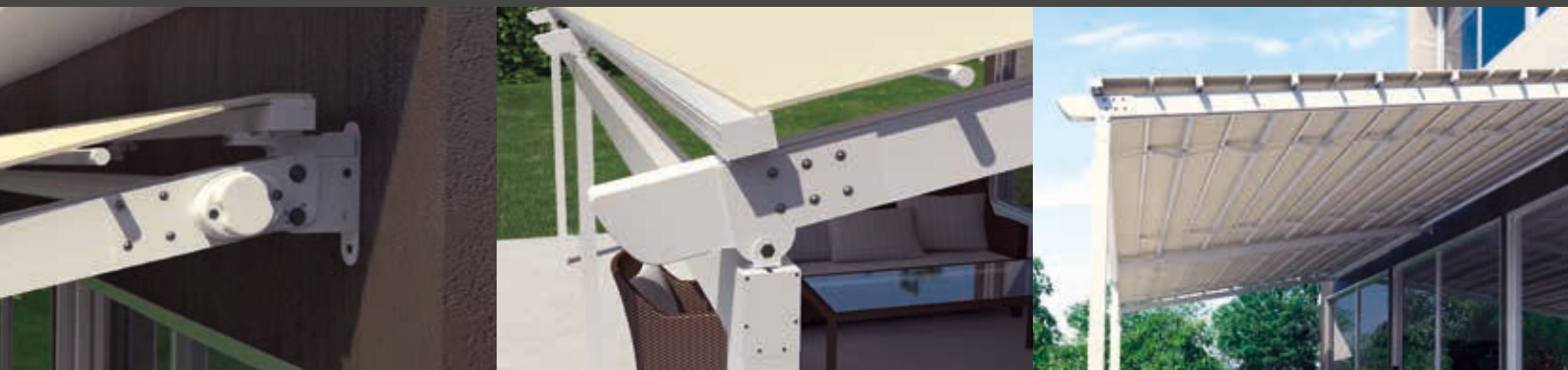
Aluminium



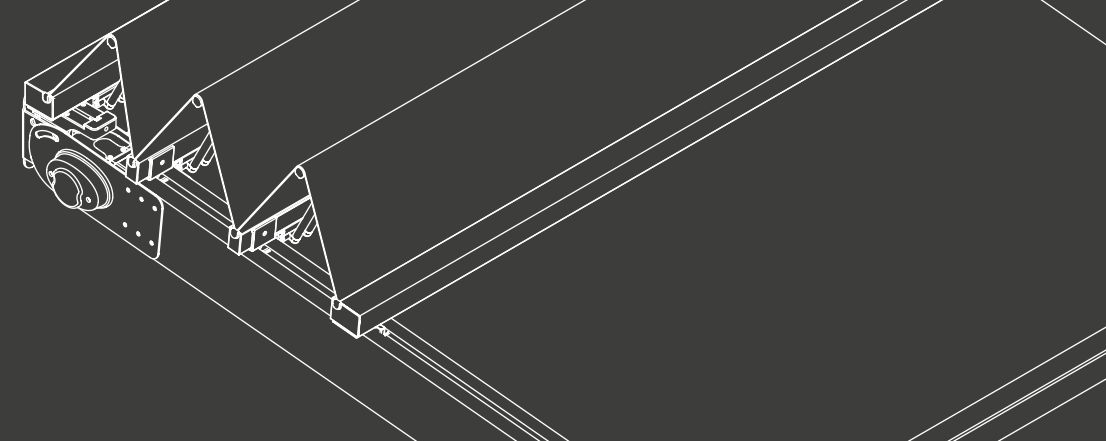
Available in all other colors and wood imitation after request.



1. Aluminium Rafter 120X70cm.
2. Aluminium Wide Beam 75X52cm.
3. Aluminium Narrow Beam 30X52cm.
4. Aluminium Tube Ø75mm.
5. PVC Block Out Cover Material.
6. Bracket.



Pergola Top Star

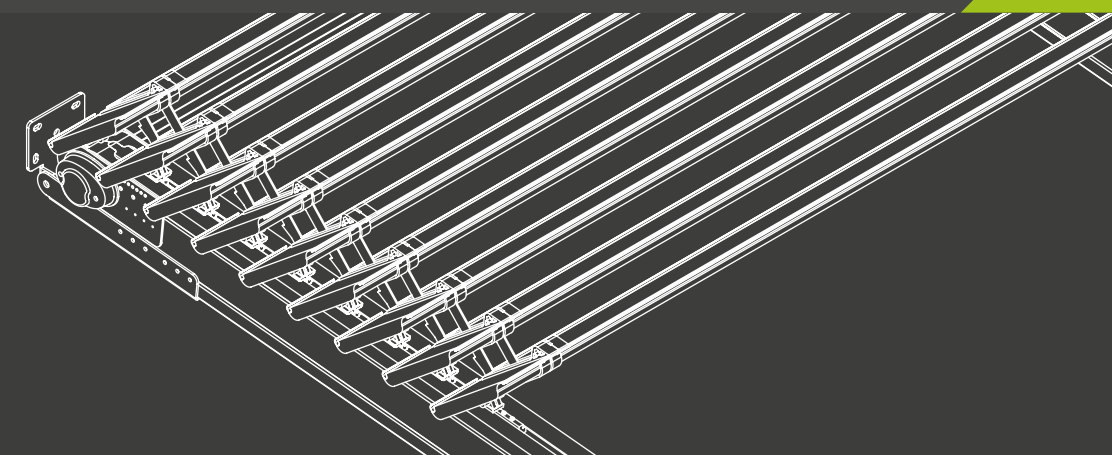
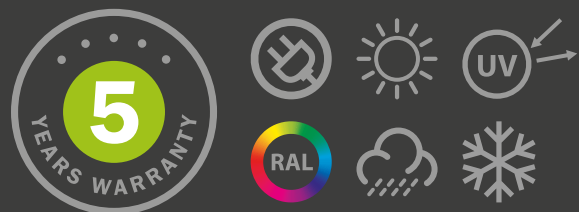


Pergola Persa



Persa A folding, retractable roof pergola, exclusively designed by Metaform SA. Sturdy construction made of an aluminium alloy of top quality and aesthetics, using 25x3 aluminium panels, with insulation capabilities.

The controlled motion of the blinds provides ventilation to the space along with shading, protection from inclement weather and snowfall!



Pergola Persa

Technical characteristics

Dimensions:

Up to 100m², 6.5m maximum projection without intermediate support.

*The difference between Rafter 180X100cm and Rafter 160X85cm is the the load resistance.

Distance from Rafter to Rafter:

Up to 2.45m.

Associated products:

Parapet 120X80cm, Parapet 160X20cm.

Colors

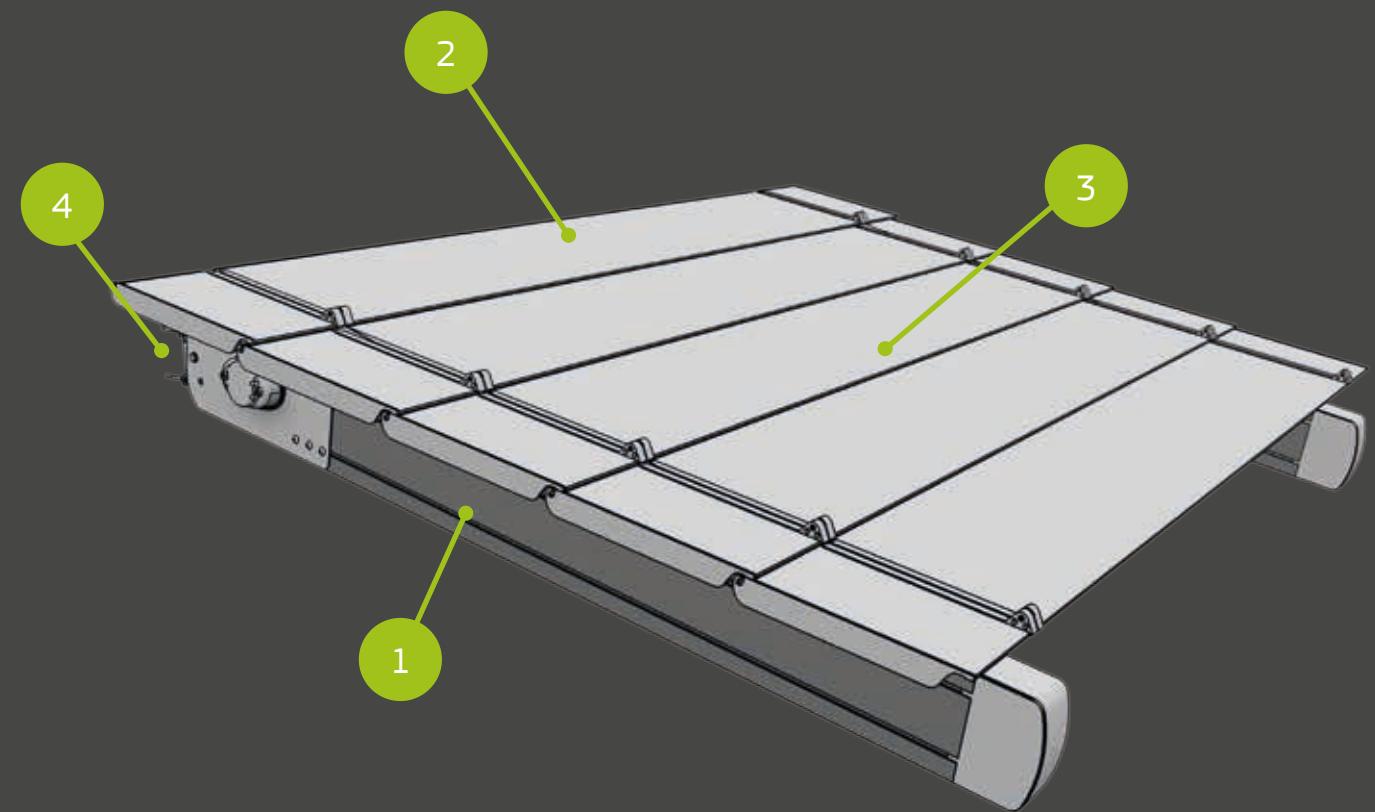
Cover material



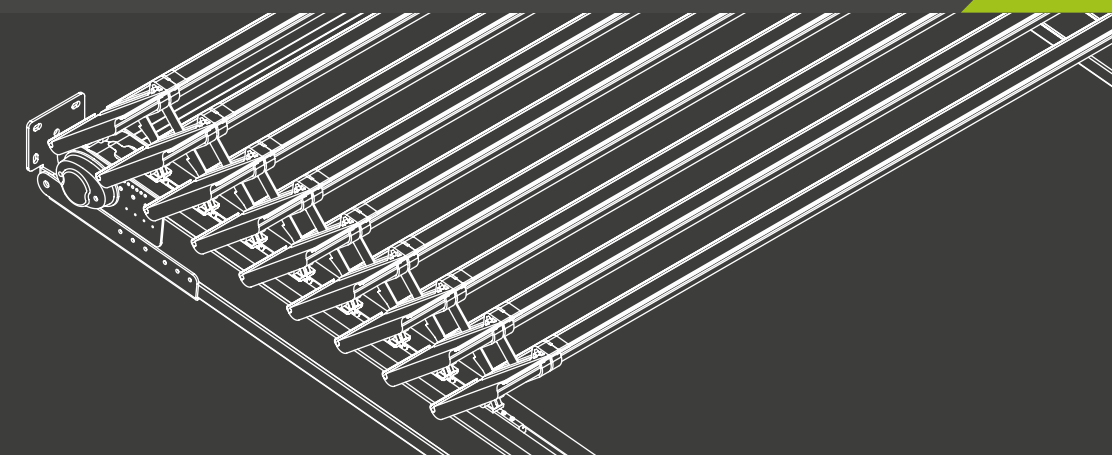
Aluminium



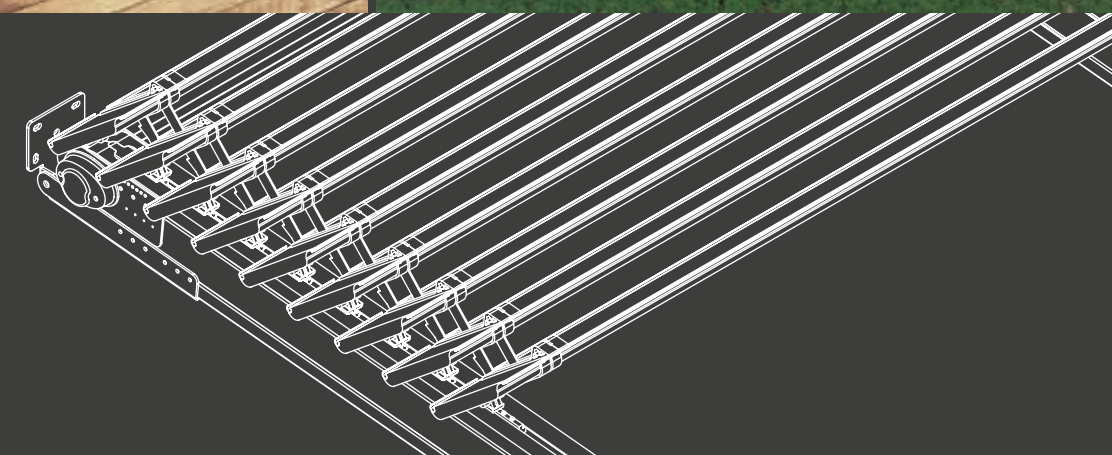
Available in all other colors and imitation wood, following order.



1. Aluminium Rafter 180X100cm and 160X85cm.
2. Aluminium Tube Ø75mm.
3. Cover Material made of 250x30cm Aluminium Panels.
4. Bracket.



Pergola Persa



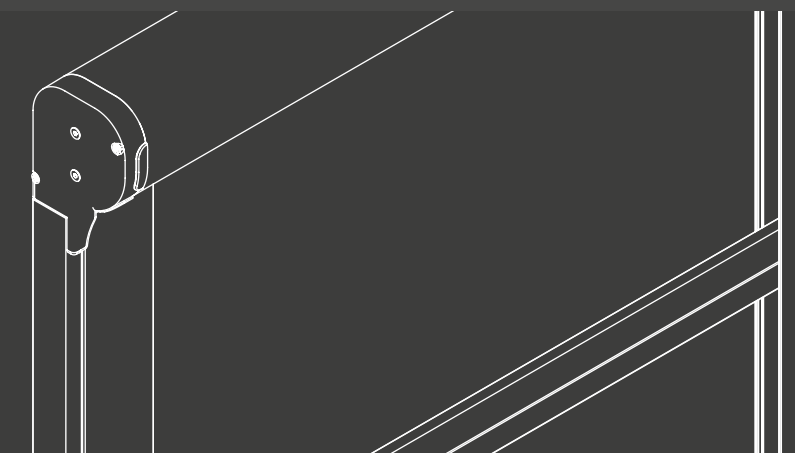
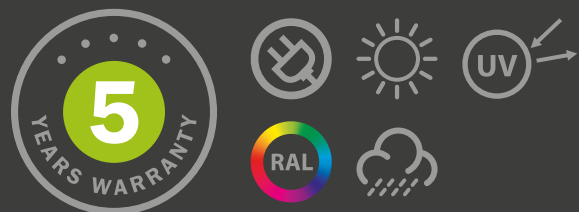
Star Vertical Casket



Star Vertical Casket

A vertical aluminium system of pioneering design, using gelatine - canvas or another material to protect from all weather conditions.

Designed in order to provide easy adaptation, top aesthetics and resistance to weather conditions, this is the recommended solution for large outdoor spaces, restaurants and recreation areas.



Star Vertical Casket

Technical characteristics

Dimensions:

Up to 4 m wide and 3m height.

Movement:

Standard hand - operated or electrical motor.

Support:

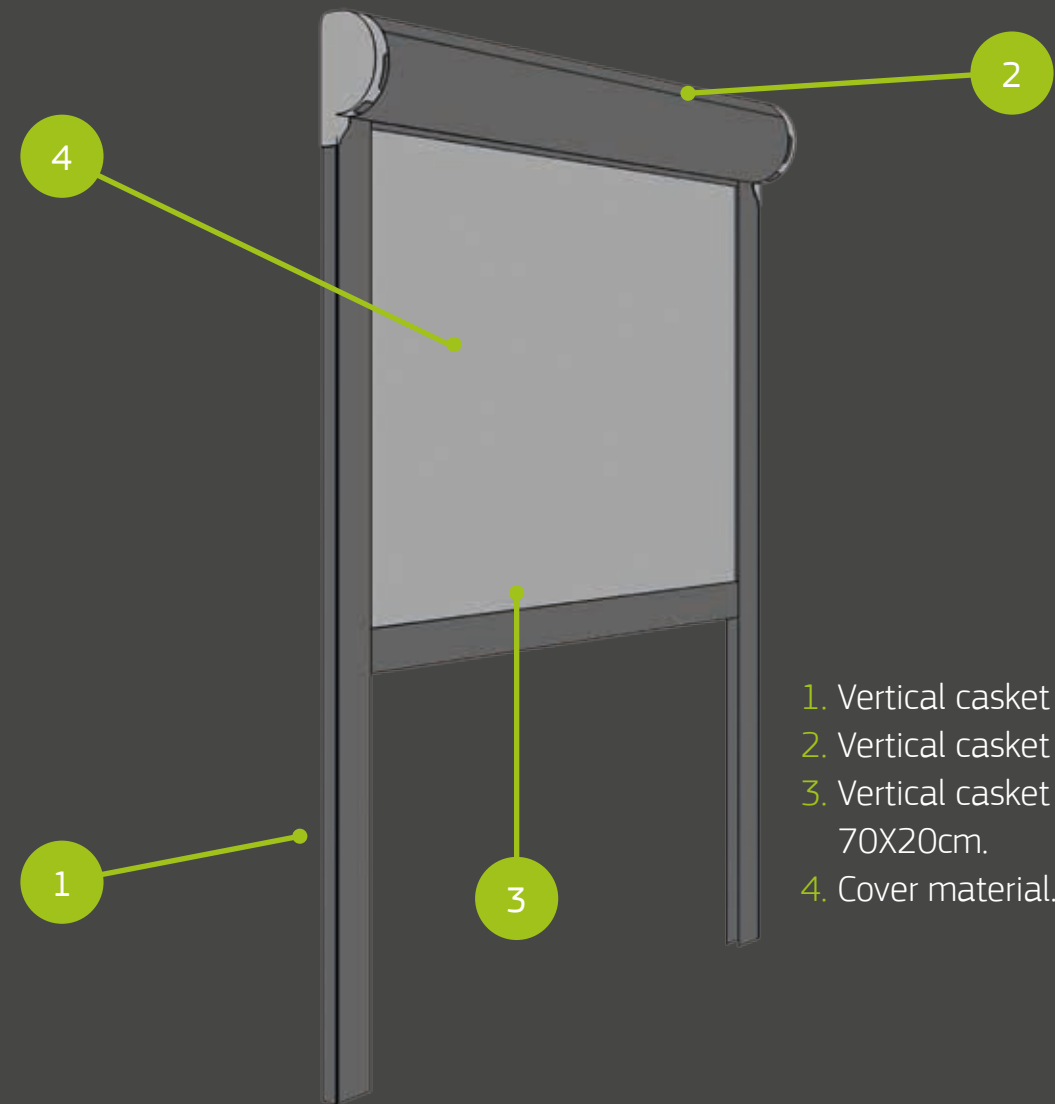
Vertical casket's support, made exclusively by the Rails with a wide range of stainless blades.

Χρώματα

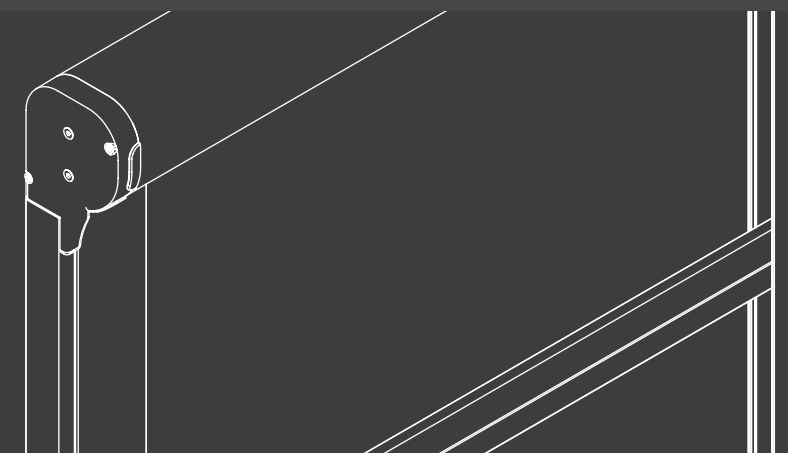
Cover material:

Broad range of choices, using canvas or acrylic as the material. Available in various designs and colors from the sample charts of various firms.

Aluminium:



1. Vertical casket rail 120X50cm.
2. Vertical casket frame 120X140cm.
3. Vertical casket counterweight 70X20cm.
4. Cover material.

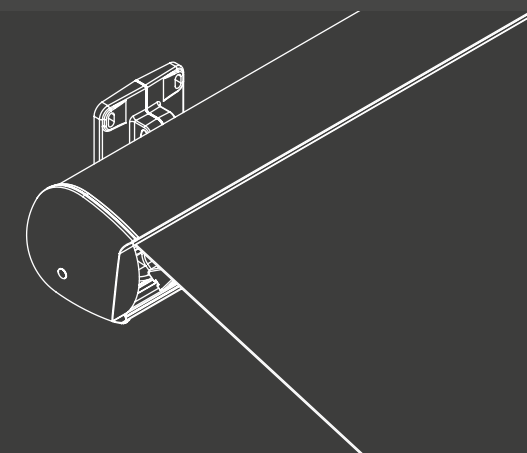
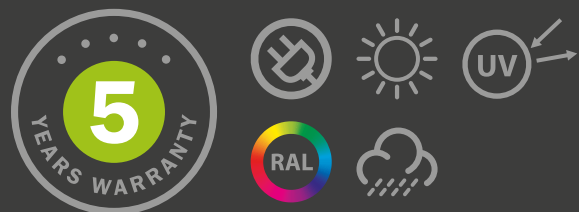


Star Casket



Star Casket External shading system that protects the material and mechanical parts of the construction from weather conditions, extending its lifespan.

Top aesthetics using a 'Ruffles' - type profile identical to the Star arm. Perfect application, excellent coupling, ideal solution for outdoor spaces, restaurants and recreation areas.



Star Casket

Technical characteristics

Autonomous horizontal awning for outdoor spaces. Designed to cover areas ranging from 2.50m to 7.00m in width and 1.50m to 3.25m in overhang.

Movement:
Electrical motor.

*Adjustable brackets for the inclination of Star Casket.

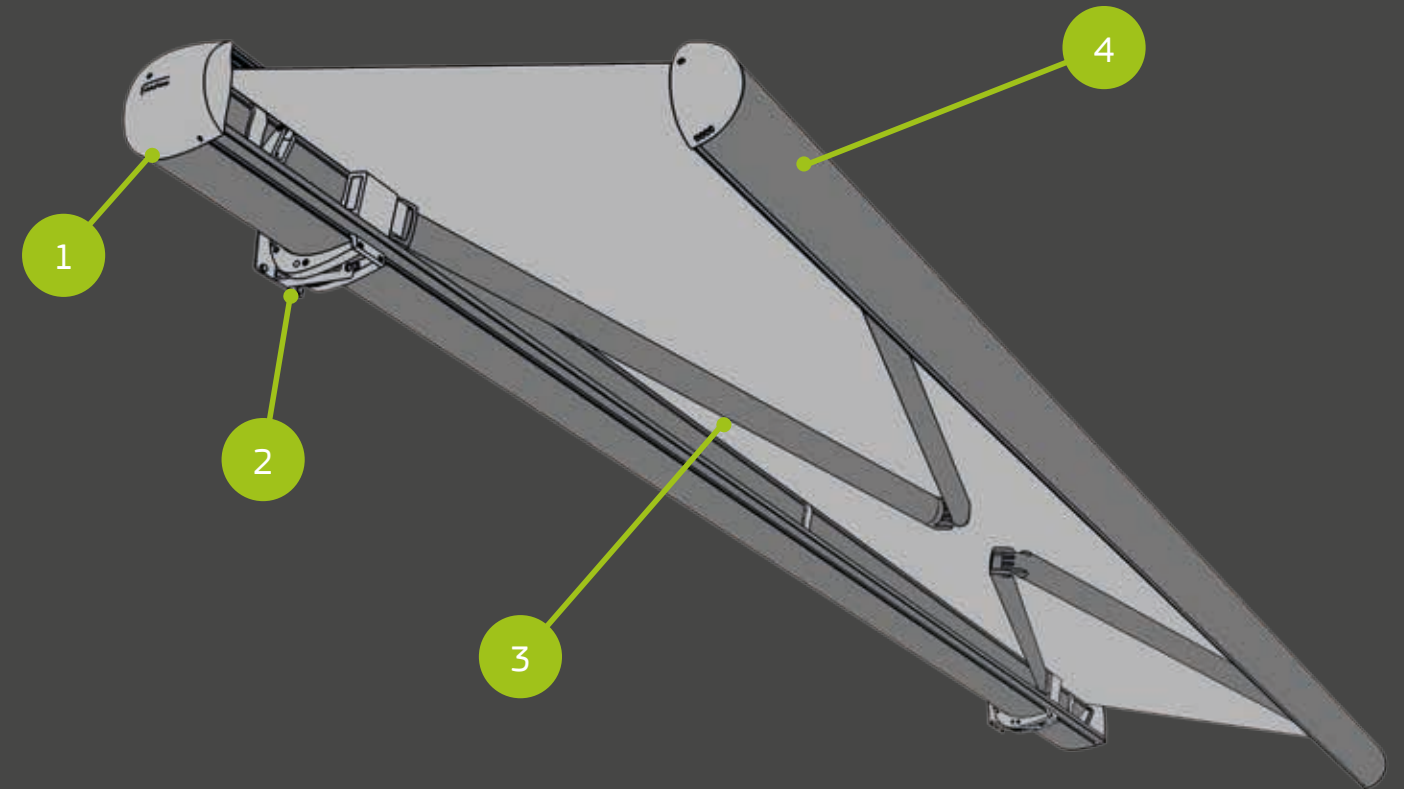
Colors

Cover material:
Broad range of choices, using canvas or acrylic as the material. Available in various designs and colors from the sample charts of various firms.

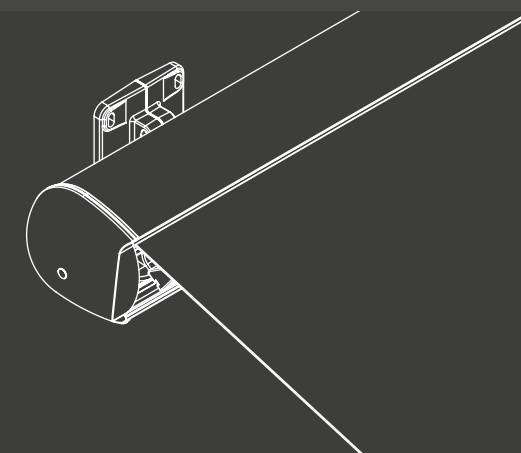
Aluminium:



Available in all other colours following order.



1. Casket frame.
2. Casket base.
3. Star arms.
4. Casket counterweight - Cover.

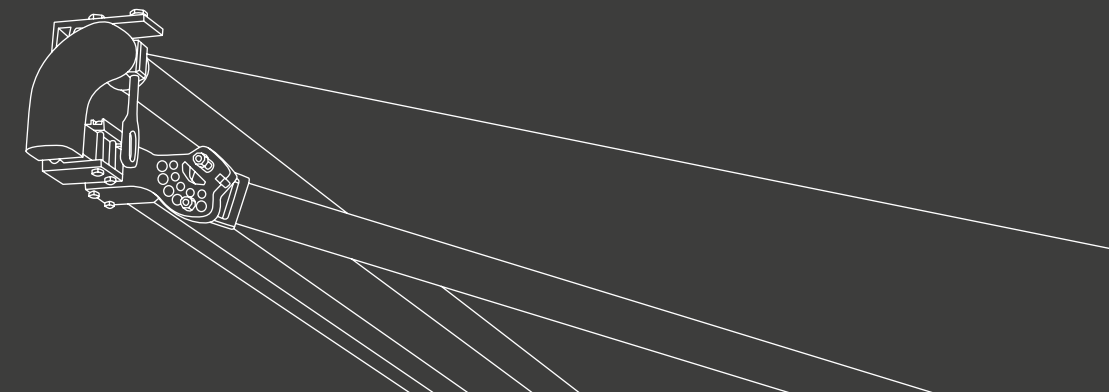
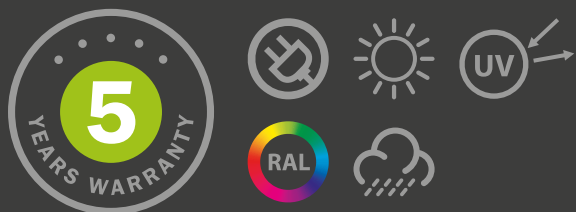


Monoblock



Monobloc Awnings are one of the key means for shading private or professional spaces and Metaform provides the ideal solution, recommending the Monoblock system, which is suitable for easy installation in hard structural conditions.

With innovative design and top quality materials, MONOBLOCK combines looks, durability and ease of use.



Monoblock

Technical characteristics

The ideal solution for shading private and professional spaces, with easy assembly and installation. The Monoblock system is available in two types, depending on the arm type: Monoblock Star with an overhang from 150cm to 350cm. Monoblock Cronos with an overhang from 150cm to 250cm. Available full assembled or in individual parts.

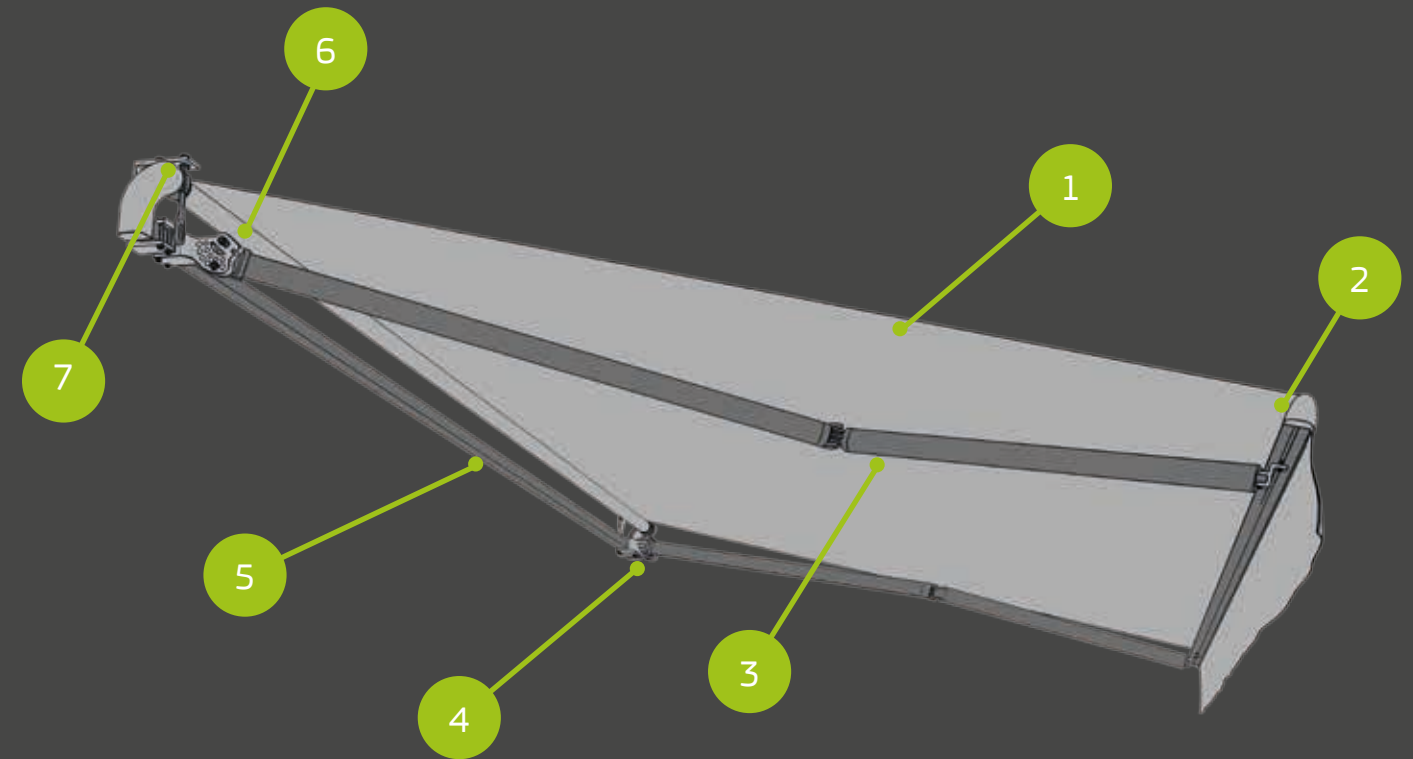
Colors

Cover material:
Broad range of choices, using canvas or acrylic as the material. Available in various designs and colors from the sample charts of various firms.

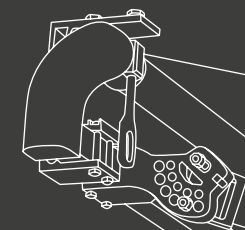
Aluminium:



Available in all other colours following order.



1. Material Coverage.
2. Aluminium Counterweight.
3. Arm.
4. Bar Arm Base.
5. Karpé 40X40
6. Bar Axle.
7. Bar Base.



Innovation

Innovative Coverage Systems

In our systems, great emphasis is put on increasing reliability and upgrading functionality, on application practicality, on ease of use and on achieving a high aesthetical result in the final installed product.

In this context, we consider the following to be noteworthy:

LED lighting system:

Specially adapted collection of lighting fixtures and accessories, with Light Emitting Diode (LED) technology bulbs for reliability and economy.

Aluminium parapet:

An effective pergola support system, for structural stability and safety of the pergola. Integrated in the profile or externally affixed gutter.

Covers:

System for the complementary coverage of gaps between the pergola and the application building. These also function as protective covers of the materials of the coverage and shading surface when they are retracted.

METAFORM
SHADING SYSTEMS

18 klm Thess. - Kavala, Zip 81, 57200 Lagkada
T: +30 23940 20300, F: +30 23940 52289, E: mf@metaform.gr
www.metaform.gr